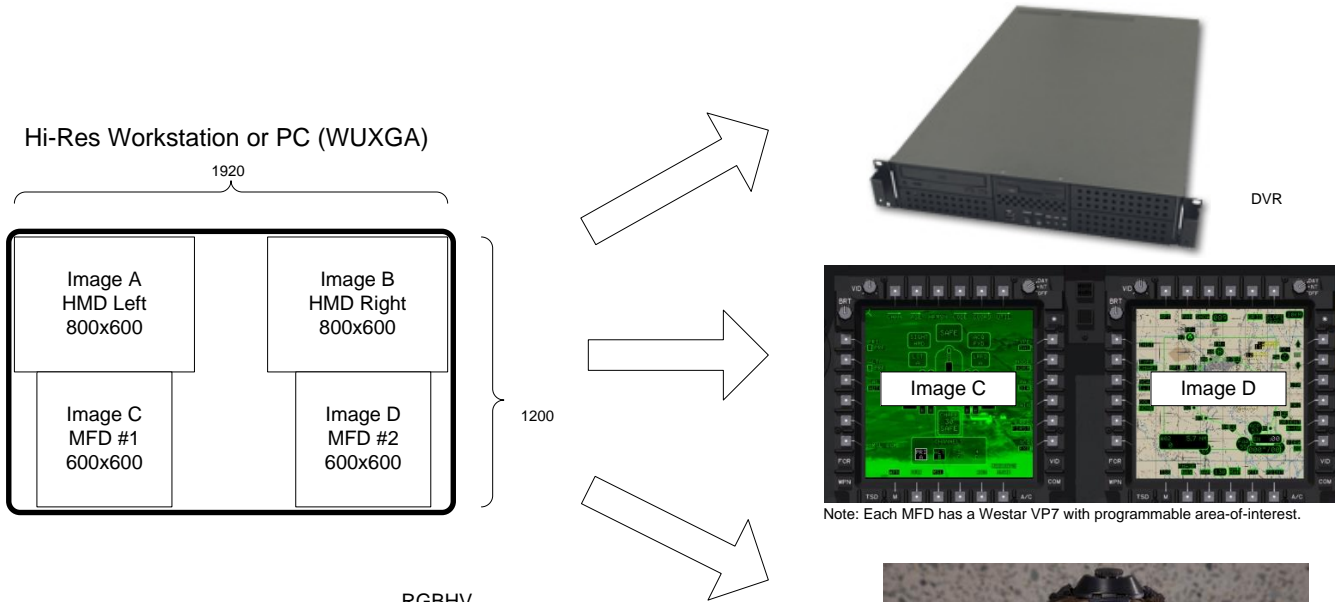
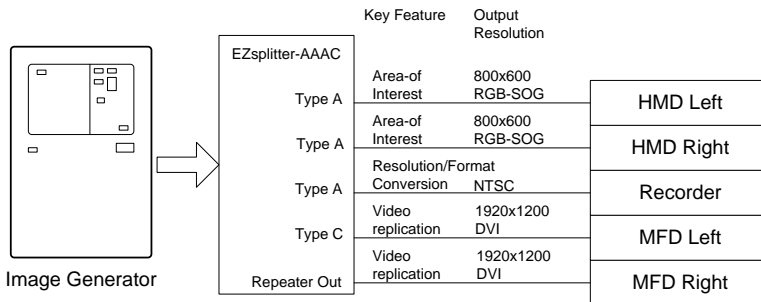


EZsplitter as a single input to multiple output format converter

The EZsplitter is the ideal video processing solution to convert a single image generator channel to multiple display devices. In the diagram below, a EZsplitter-AAAC converts a single 1920x1200 input to drive several different devices in a simulator application.



RGBHV



One EZsplitter allows a single Image Generator channel to drive different video formats and resolutions to 5 different devices, all in a 1U package!